

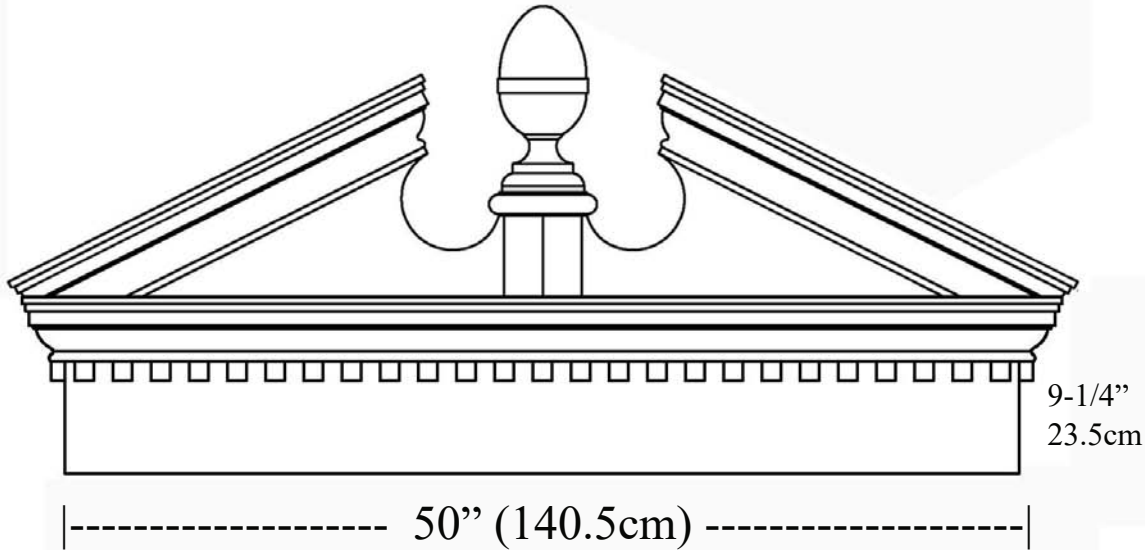


# Acorn Pediment

## IPPED1901

## ArchPolymer™

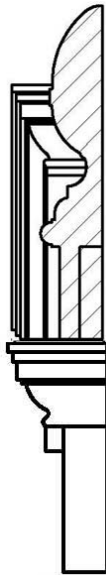
----- 55-5/16" (140.5cm) -----



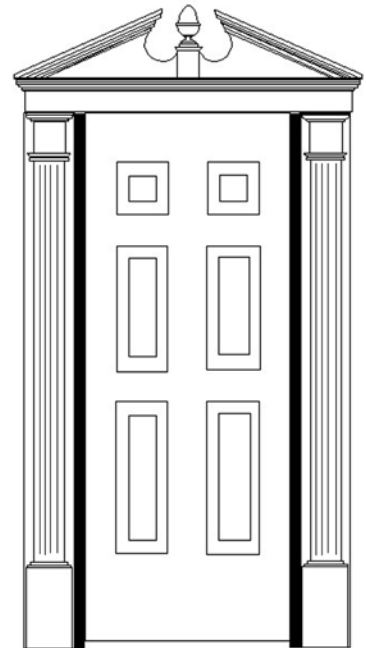
--- 4" ---

-----

15"  
10.3cm



*Suggest Use  
with Pilasters  
or Half Columns*



-----

9-1/4"  
23.5cm

Total  
Height  
24-1/4"

|- 1-3/4" -|

*\* assembly required, drawing not to scale*

\* All specifications subject to change without notice, Final products & Measurements may vary from this brochure



Imperial Productions®

1-800-399-7585

Imperial Productions & Distribution Inc New York / Toronto

email sales@imperialproductions.com copyright 2016 MRDCI All Rights Reserved



# Imperial Productions® Request for Quote

Download, Fill-in & Email to [sales@imperialproductions.com](mailto:sales@imperialproductions.com)

Name / Company: \_\_\_\_\_

Phone \_\_\_\_\_ Email \_\_\_\_\_

Billing Address: \_\_\_\_\_

City: \_\_\_\_\_ Prov / State \_\_\_\_\_

PC / Zip Code \_\_\_\_\_

Ship to Address: \_\_\_\_\_

City: \_\_\_\_\_ Prov / State \_\_\_\_\_

PC / Zip Code \_\_\_\_\_

Product Code: \_\_\_\_\_

Quantity: \_\_\_\_\_

Notes: \_\_\_\_\_



Imperial Productions®

1-800-399-7585

Imperial Productions & Distribution Inc Toronto / New York

email [sales@imperialproductions.com](mailto:sales@imperialproductions.com) copyright 2016 MRDCI All Rights Reserved